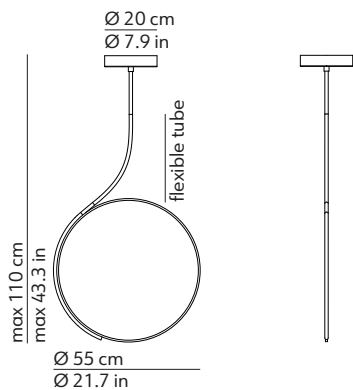


### TECHNICAL DRAWINGS



### CODES

<b>220-240 V</b> 505426N	Black
<b>120 V</b> 505426NUS	Black

### TECHNICAL DATA

Light source type	Strip LED
Lamp power	1 x 28 W
Source luminous flux	3148 lm
Color temperature	2700 K
CRI	>90
Feeding	220-240 V / 120 V
Driver	Included
Dimmable	Yes
Dimming type	Phase cut

### PRODUCT INFORMATION

Installation	Ceiling
Net weight	3.1 kg / 6.82 lbs

#### Structure

Colour	Black RAL9005
Finish	Matte
Material	Metal and flexible tube coated in technical fabric

#### Diffuser

Colour	White
Finish	Matte
Material	Opal PC

### PACKAGING

<b>Box 1</b>	
Dimensions L x W x H	65 x 65 x 8 cm / 25.6 x 25.6 x 3.1 in
Volume	0.034 m <sup>3</sup> / 1.194 ft <sup>3</sup>
Gross weight	3.5 kg / 7.7 lbs